

## 21mm Snap-In Rotary Potentiometer

**RK2112N**

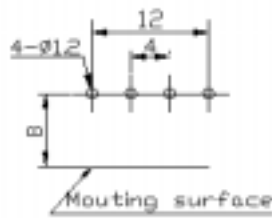
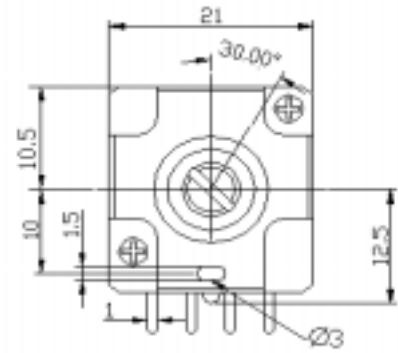
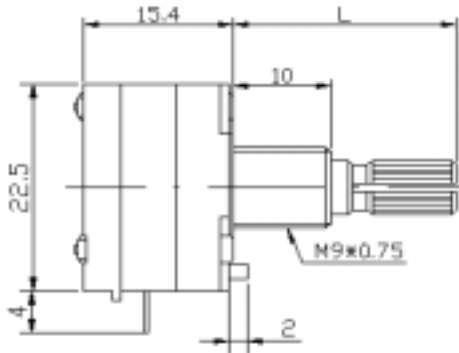


### Part Number

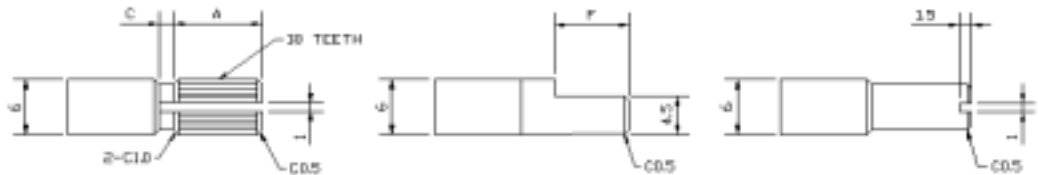
**RK2112N - B 50K, L - 20 KC**

↓ Taper      ↓ Resistance Value      ↓ Shaft Length      ↓ Shaft Type

### Dimensions



### Shaft Type



KC	L	20	25	30
	A	7	10	12
	C	1	2	4
F	L	20	25	30
	F	7	12	12
RC	L	20	25	30

## 21mm Snap-In Rotary Potentiometer

### Electrical Characteristics

All Resistance	10K ~ 1M
All Resistance Tolerance	± 20%
Resistance Taper	A. B Taper
Resistance Taper Characteristics	A 50% → 15-25% B 50% → 40-60%
Rated Power	0.05W
Residual Resistance	R ≥ 250K    0.1% 250K > R > 10K    20 Max. ( between Term. 1, 2 ) 10K ≥ R    20 Max. ( between Term. 1, 2 )
Noise	100 mV Max.
Insulation Resistance	DC 500V 100M
Withstand Voltage	1 minute at AC 500V
Rotational Life	10,000 Cycles

### Mechanical Characteristics

Total Rotational Angle	300° ± 5°
Stopper Strength	7 kgf.cm max./ 3 sec.
Operating Force	30 ~ 250gf.cm
Push-Pull Strength	8 kgf.cm Max. / 3 sec.
Shaft Wobble	0.7 x L / 30 mmp-p max.
Solder Heat	300 , 3s. (Only for Hand-Soldering)
Remark	Shaft: Aluminum Zinc Bushing Material: Cast Iron